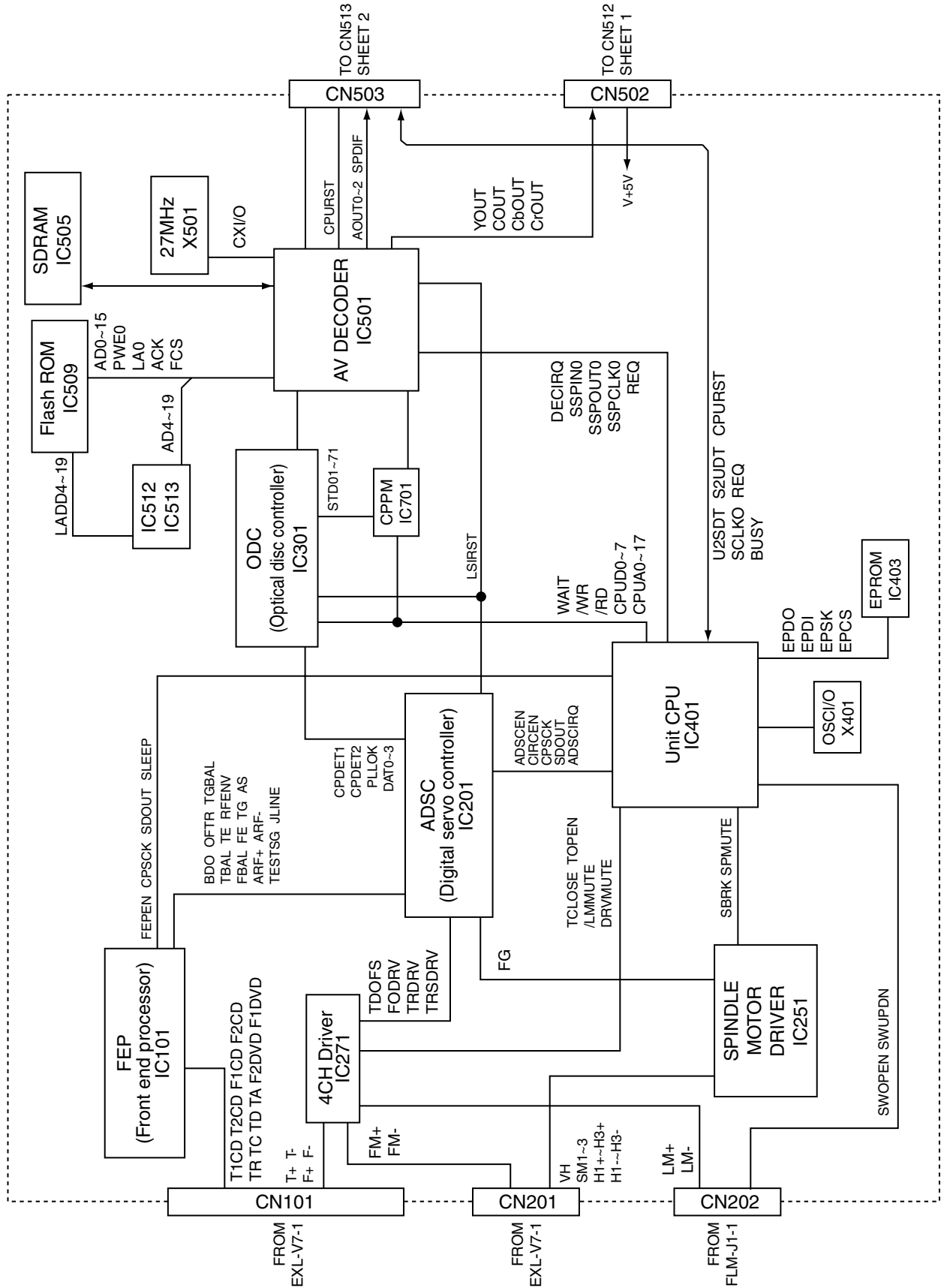


***Safety precaution***

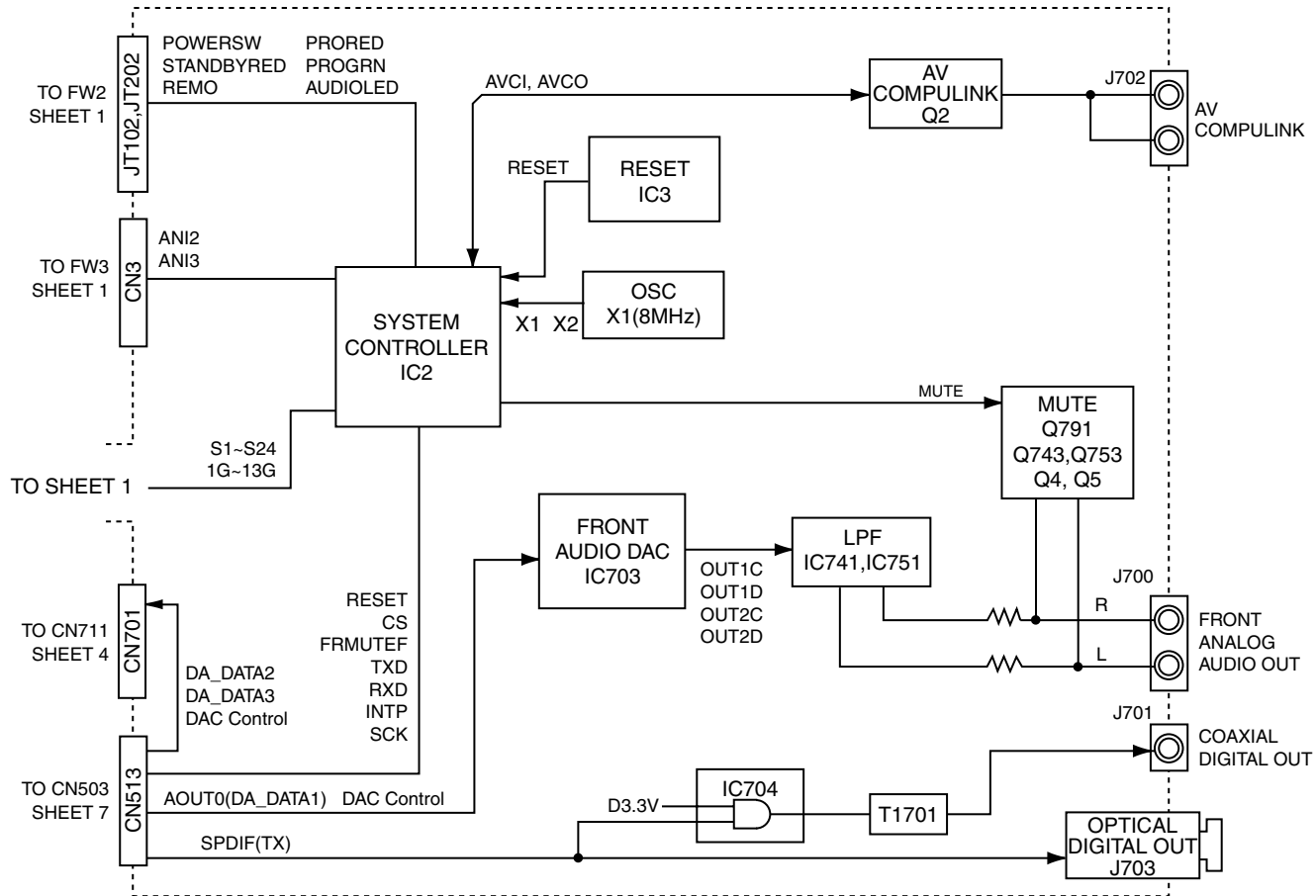
In regard with component parts appearing on the silk-screen printed side (parts side) of the PWB diagrams, the parts that are printed over with black such as the resistor (■), diode (▬) and ICP (●) or identified by the "⚠" mark nearby are critical for safety. When replacing them, be sure to use the parts of the same type and rating as specified by the manufacturer. (Except the JC version)

# Block diagrams

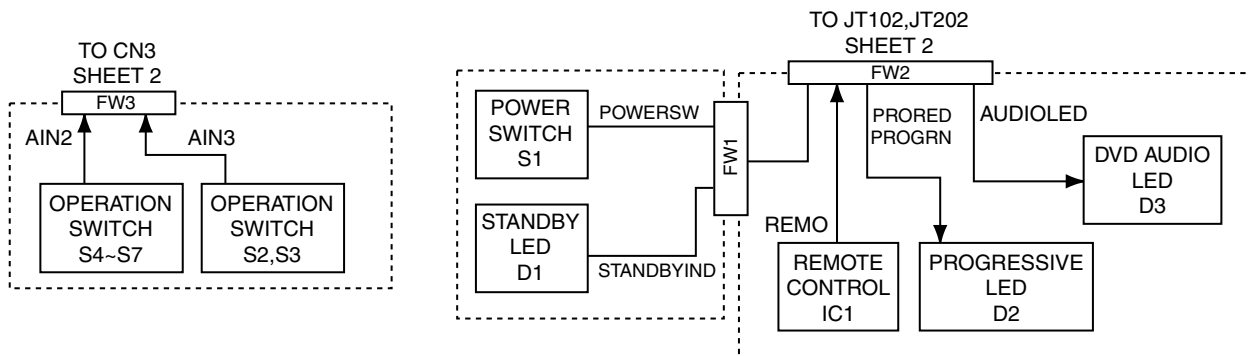
## ■ DVD Servo control & AV decoder section (SHEET 5,6,7)



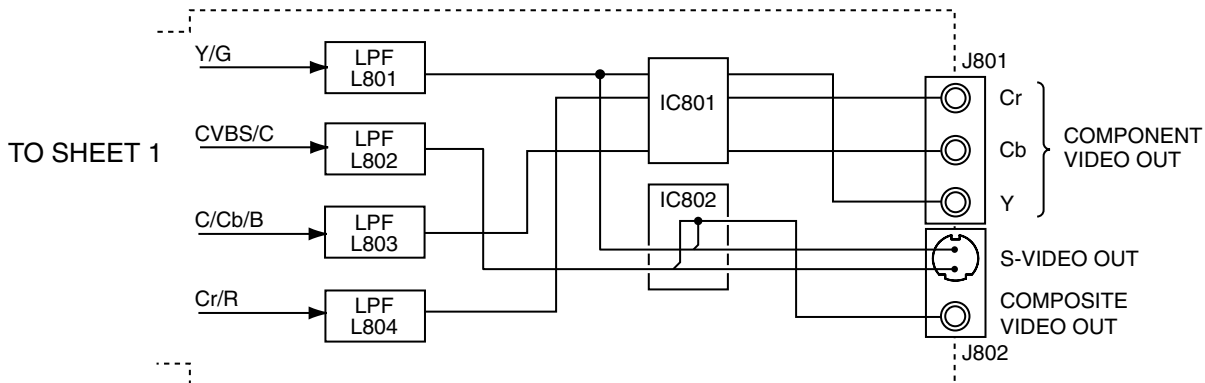
■ System control & audio output section (SHEET 2)



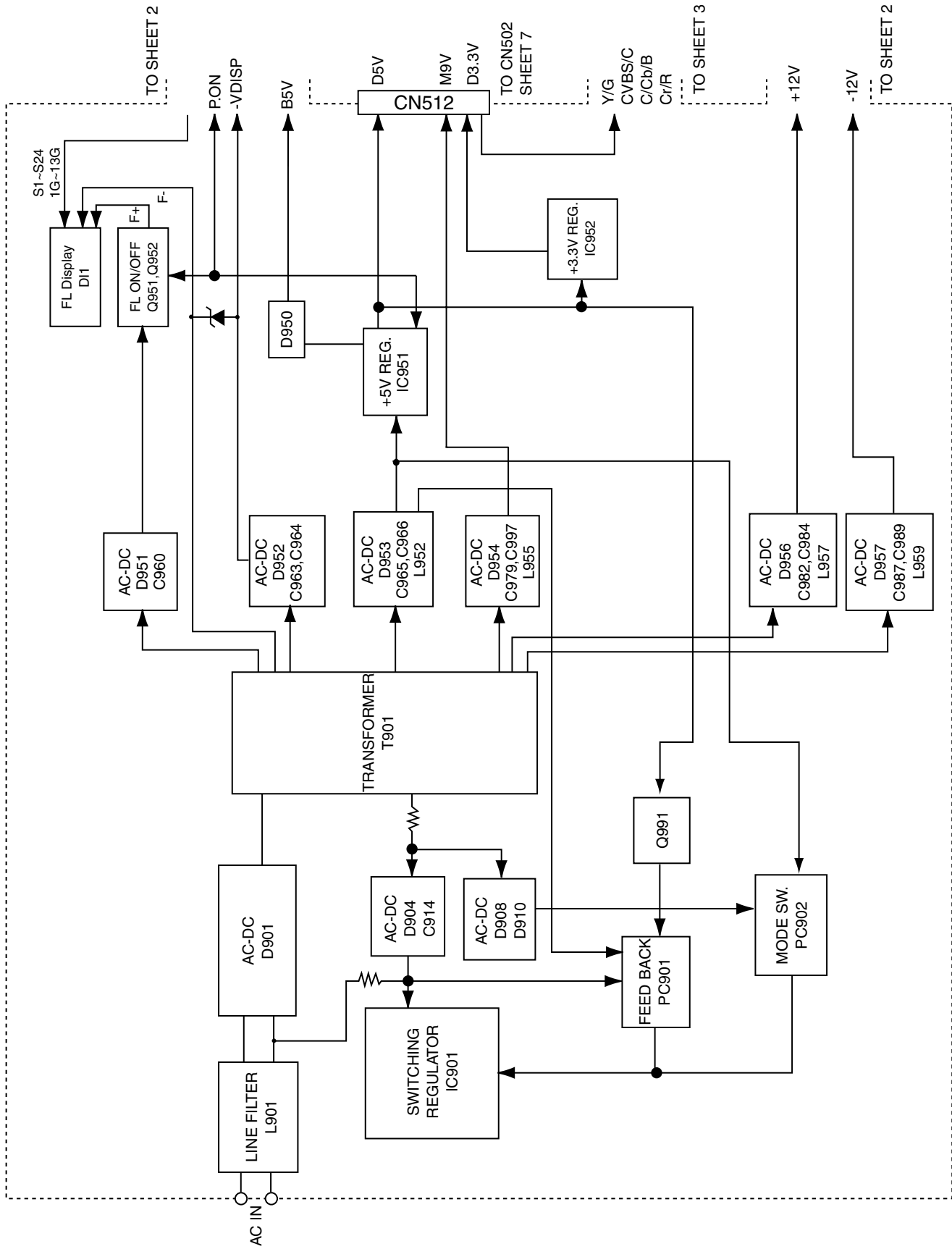
■ Operation switch section (SHEET 1)



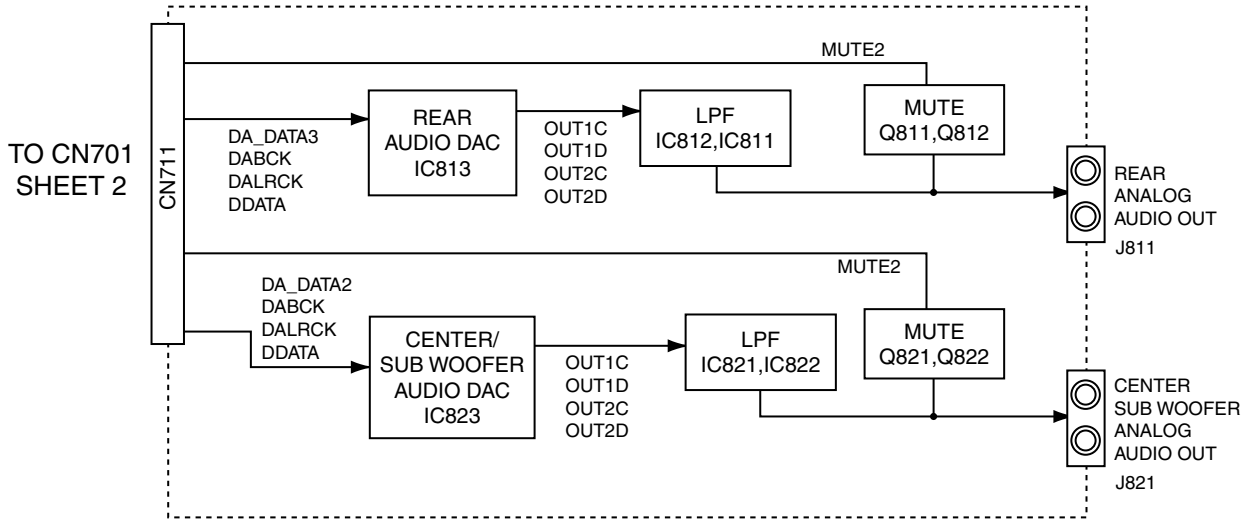
■ Video output section (SHEET 3)



■ DC Regulator section (SHEET 1)



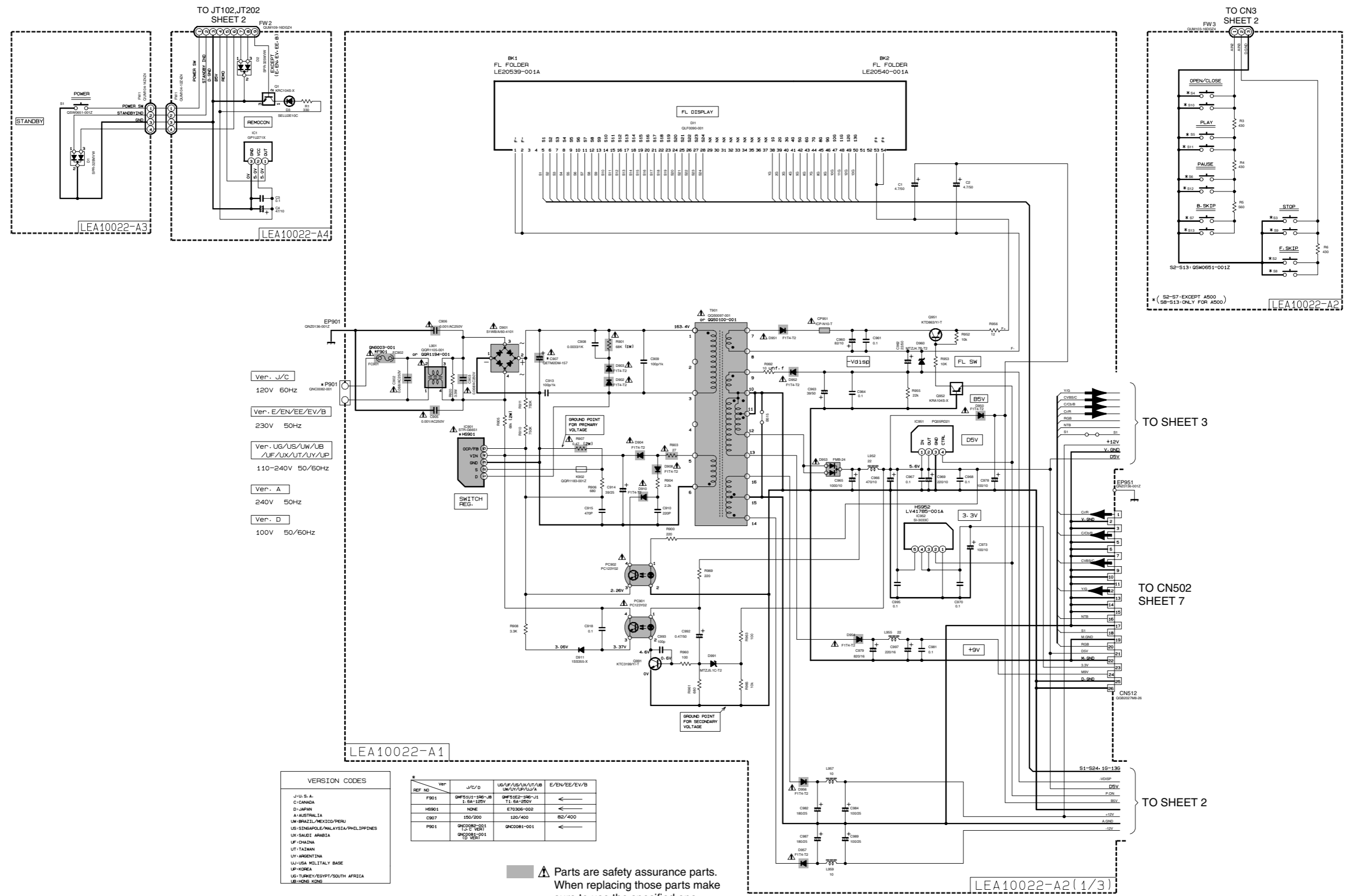
■ Surround audio signal output section (SHEET 4)



# Standard schematic diagrams

## FL Display & Power supply section

7  
6  
5  
4  
3  
2  
1

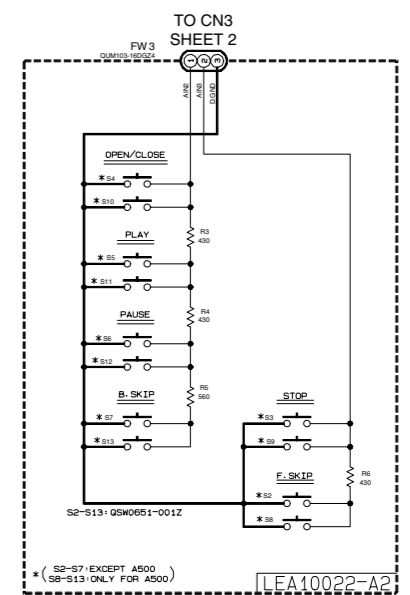
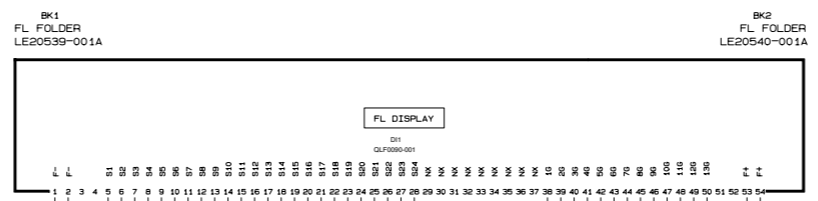
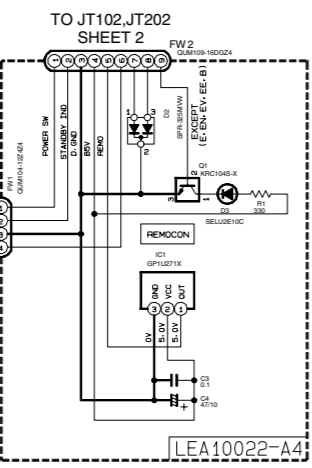
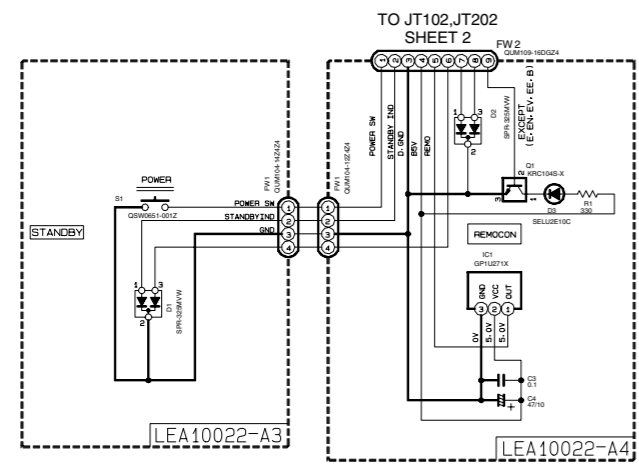


- Ver. J/C  
120V 50Hz
- Ver. E/EN/EE/EV/B  
230V 50Hz
- Ver. US/US/UW/UB  
/UF/UX/UT/UY/UP  
110-240V 50/60Hz
- Ver. A  
240V 50Hz
- Ver. D  
100V 50/60Hz

VERSION CODES	
J:U.S.A.	C:CANADA
D:JAPAN	A:AUSTRALIA
U:BRASIL/MEXICO/PERU	US:SINGAPORE/MALAYSIA/PHILIPPINES
UK:SAUDI ARABIA	UP:CHINA
UT:TAIWAN	UY:ARGENTINA
UJ:USA MILITARY BASE	UP:KOREA
US:TURKEY/EGYPT/SOUTH AFRICA	VB:HONG KONG

REF. NO.	Ver.	J/C/D	US/AF/US/UK/UT/UB UM/UY/UP/VA	E/EN/EE/EV/B
F901	0NF511-19E-18 1.6A-125V		0NF512-19E-11 1.6A-250V	←
H901	NONE		E70306-002	←
C907	150/200		120/400	←
P901	0NC0081-001 1.0 VDR		0NC0081-001	←

▲ Parts are safety assurance parts.  
When replacing those parts make  
sure to use the specified one.



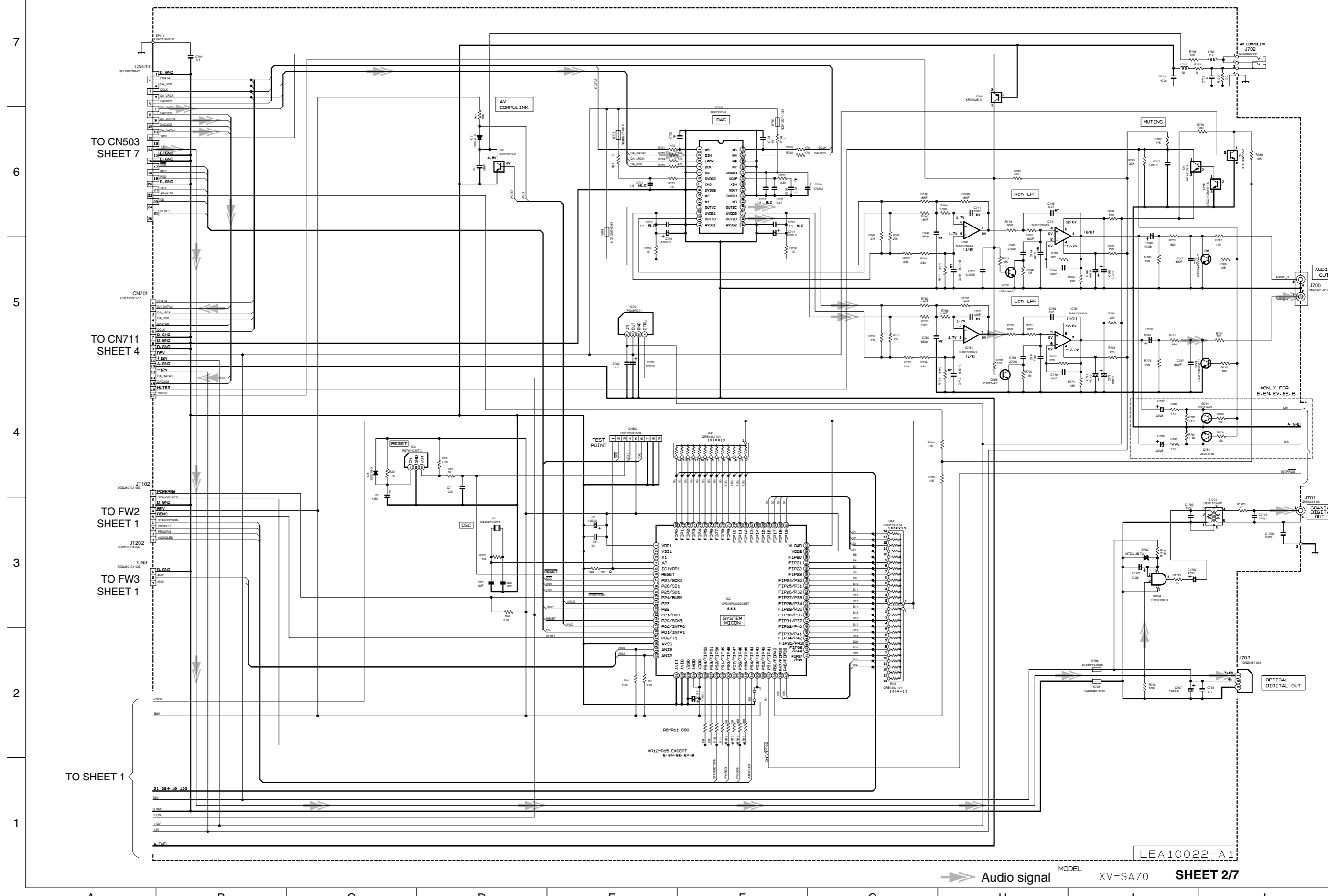
TO SHEET 3

TO CN502  
SHEET 7

TO SHEET 2

A B C D E F G H I J

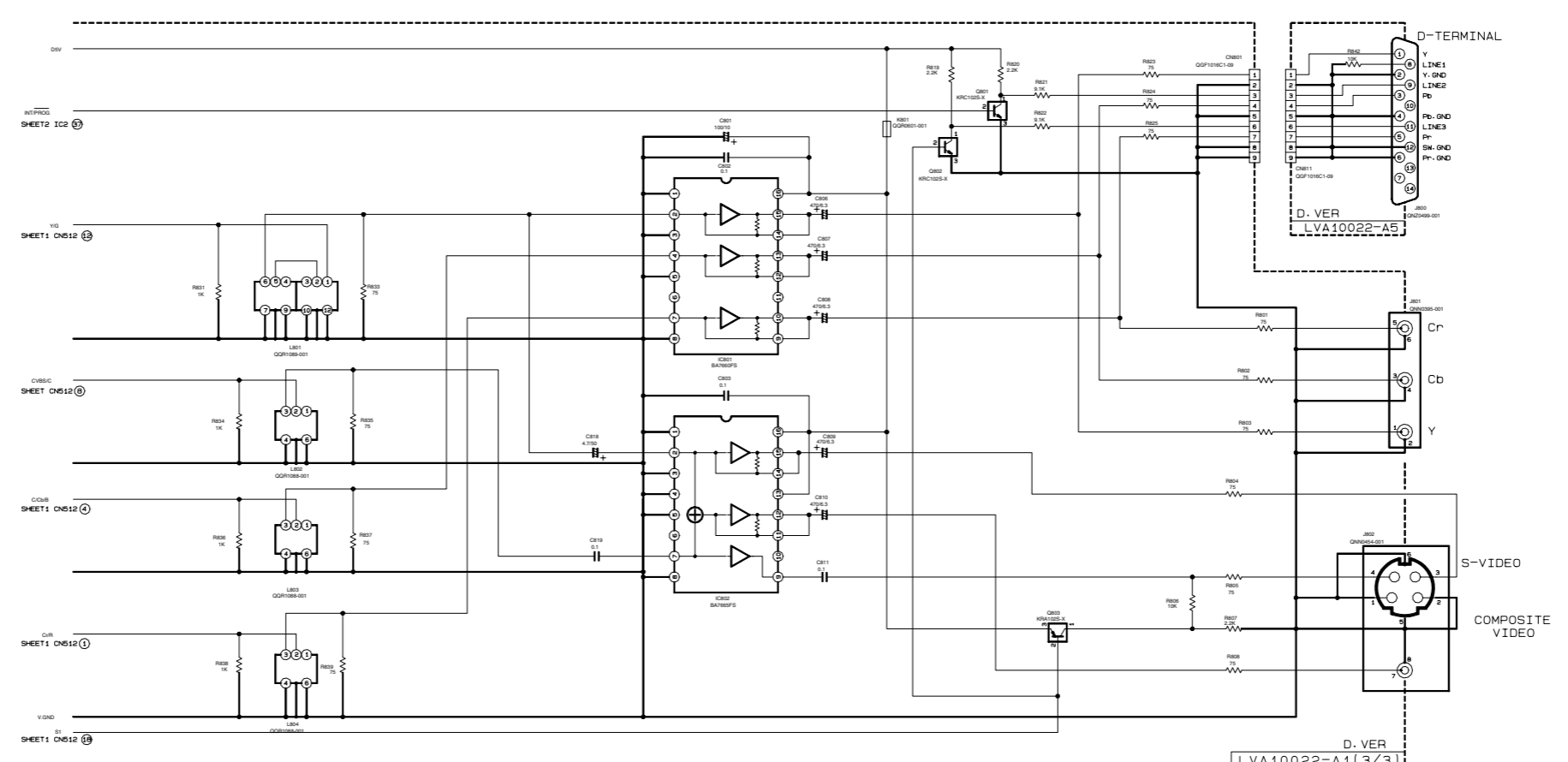
System control & audio signal output section



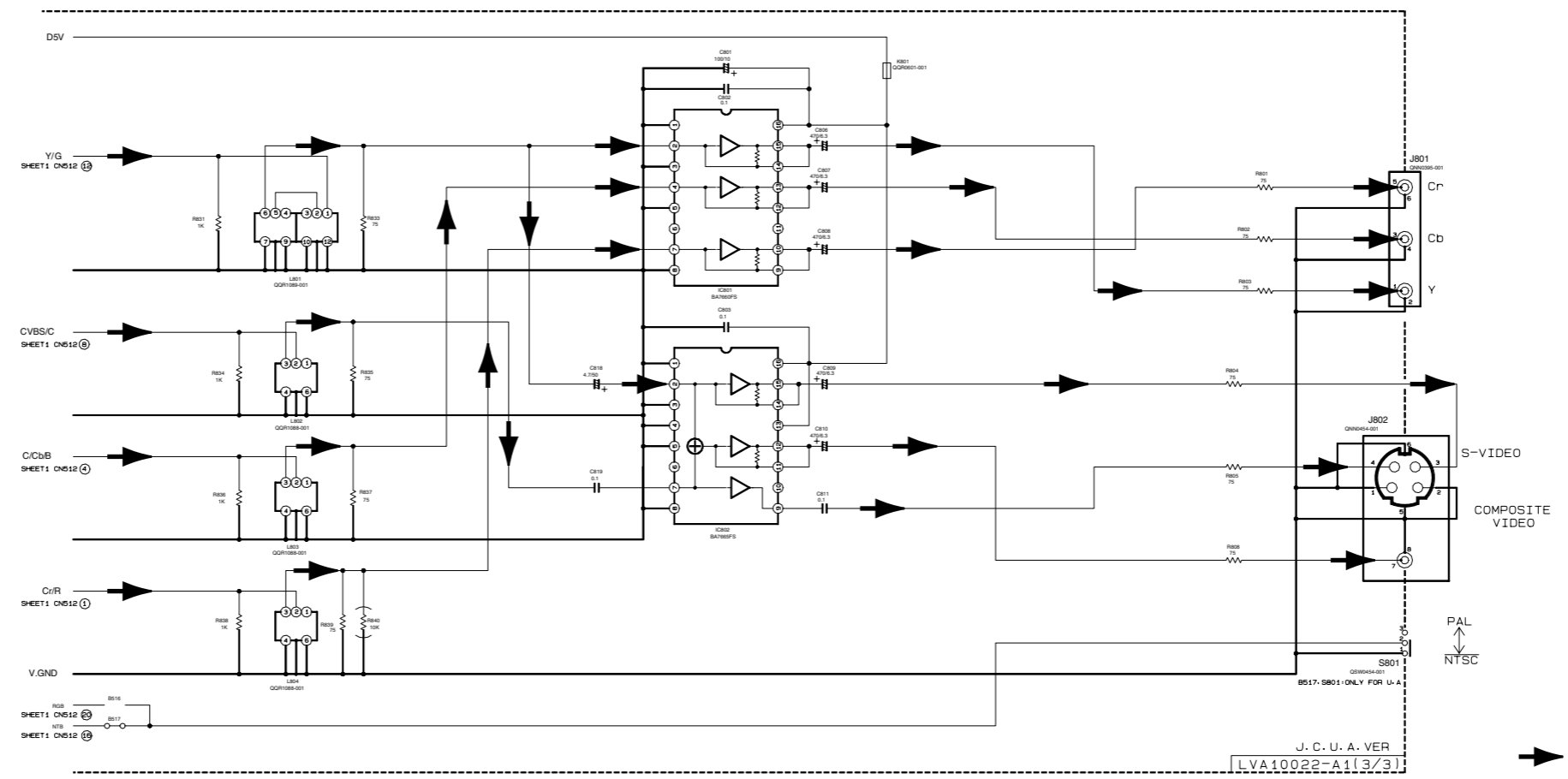
LEA10022-A1

■ Video signal output section

7  
6  
5  
4  
3  
2  
1



TO SHEET 1

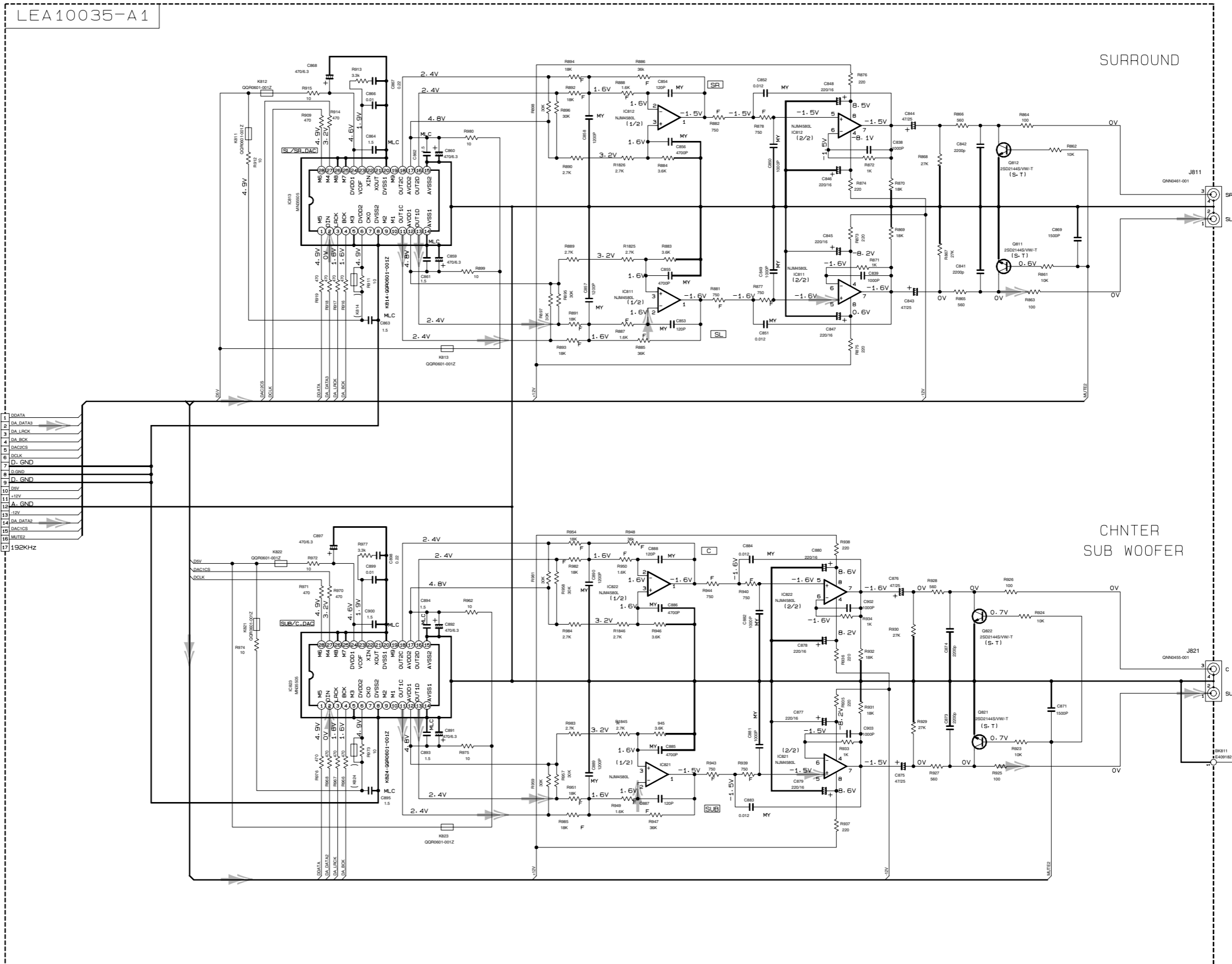


➔ Video signal

A B C D E F G H I J



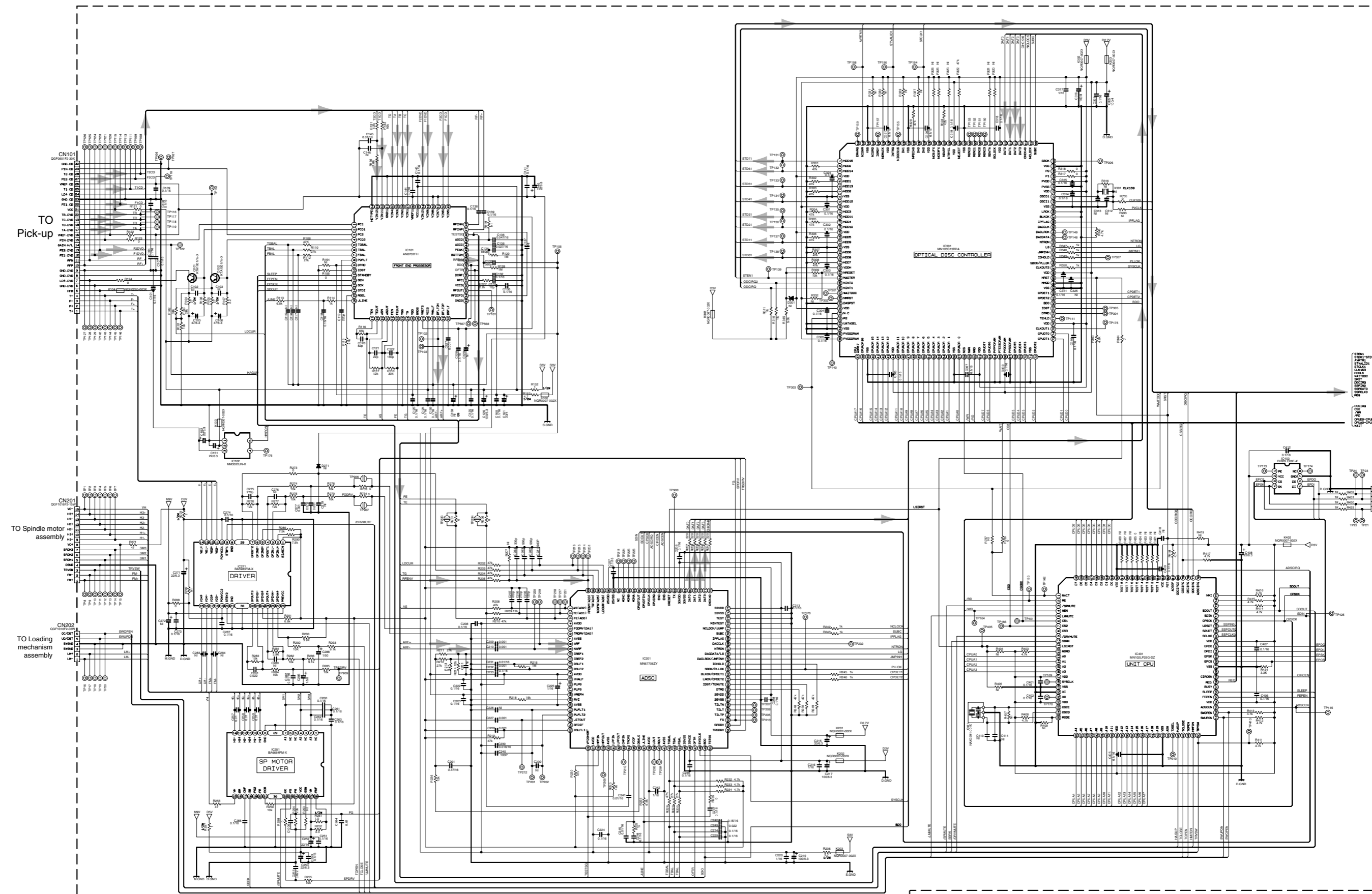
Surround audio signal output section



TO CN701 SHEET 2

■ Servo control section

7  
6  
5  
4  
3  
2  
1



TO Pick-up

TO Spindle motor assembly

TO Loading mechanism assembly

SHEET 6

➔ Digital data signal

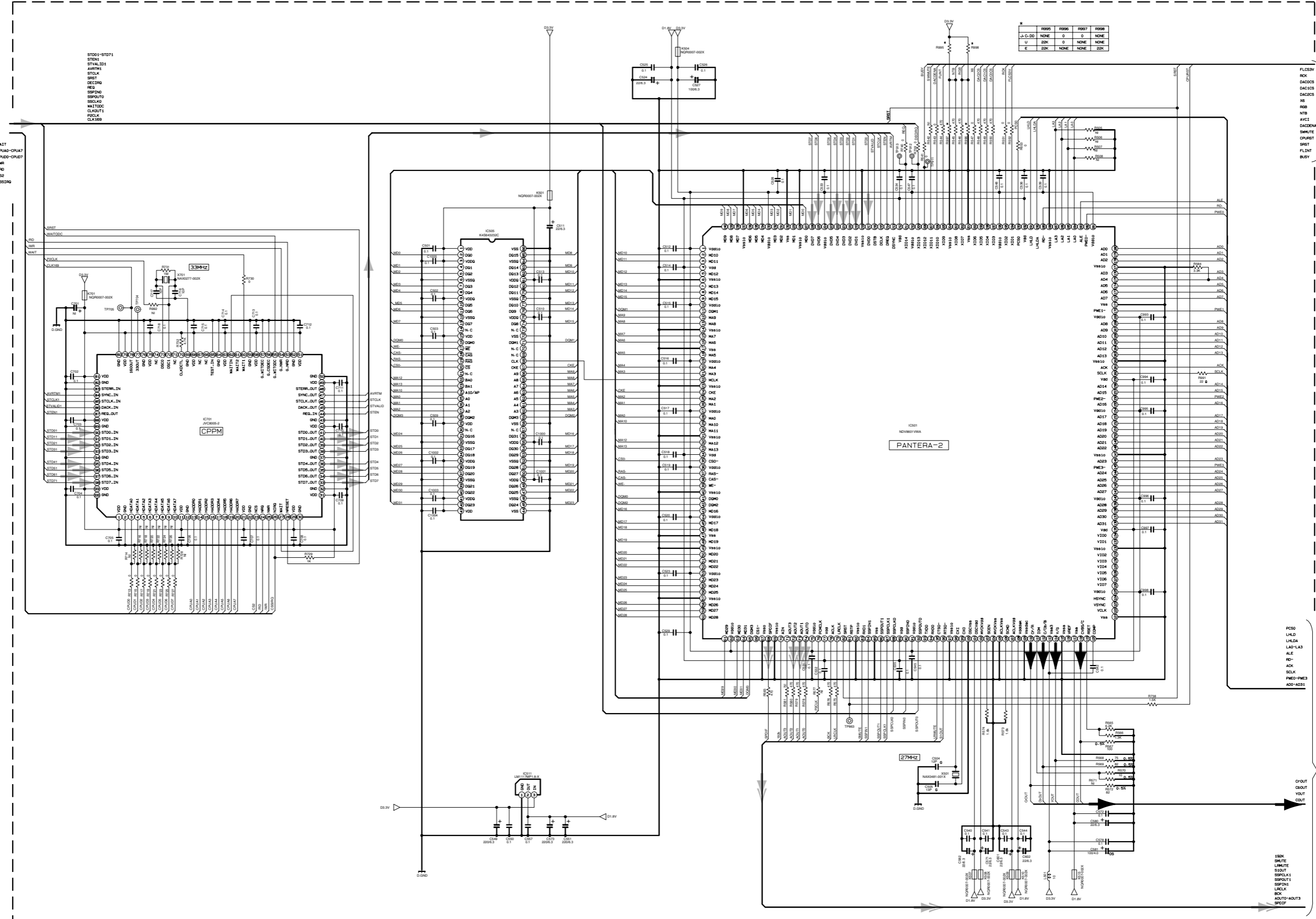
MODEL XV-SA70 SHEET 5/7

AV Decoder section

SHEET 5

SHEET 7

SHEET 7



➡ Digital data signal ➡ Audio signal ➡ Video signal

MODEL XV-SA70 SHEET 6/7

Flash ROM section

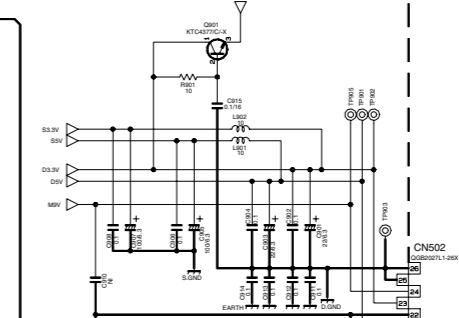
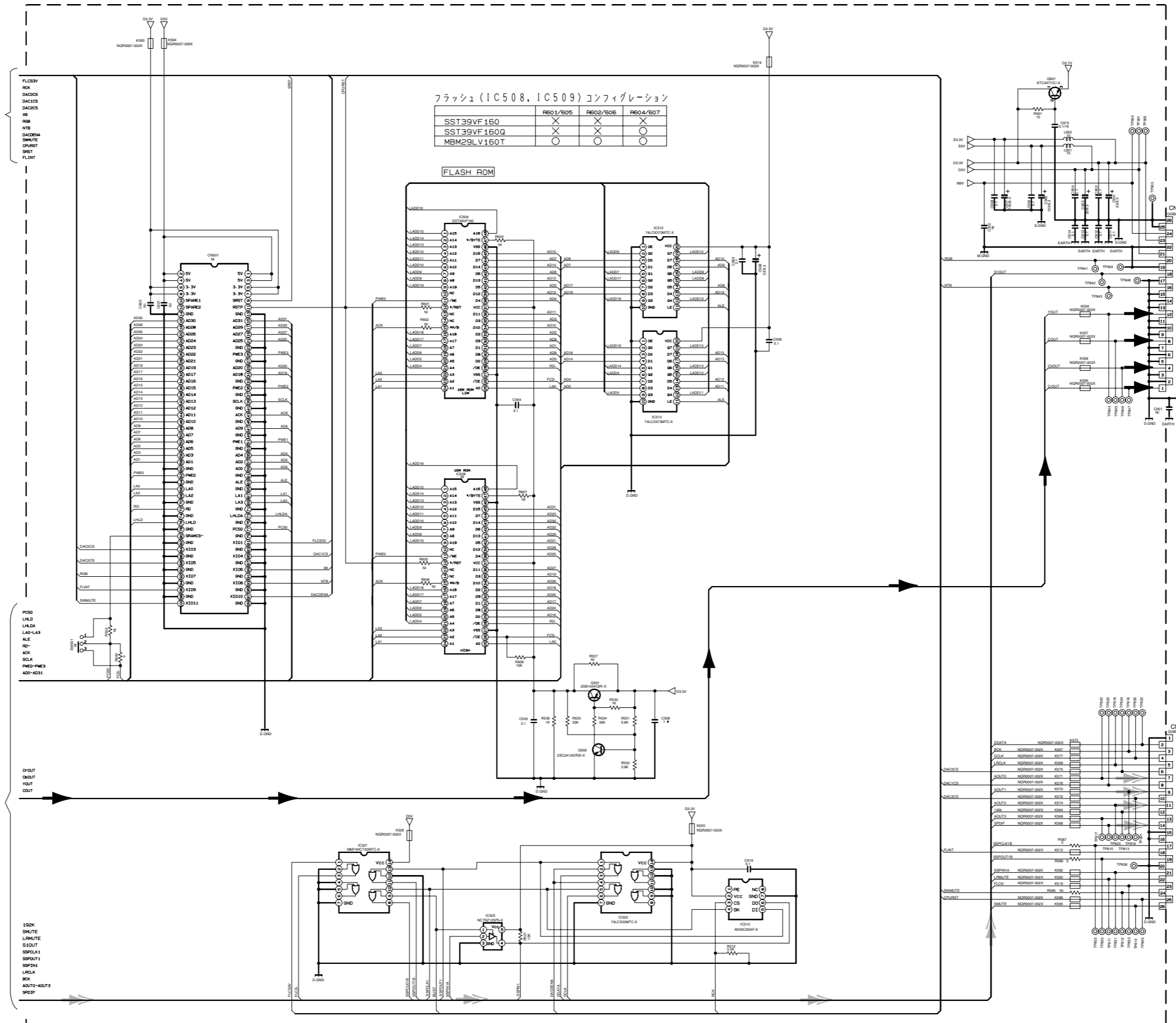
SHEET 6

SHEET 6

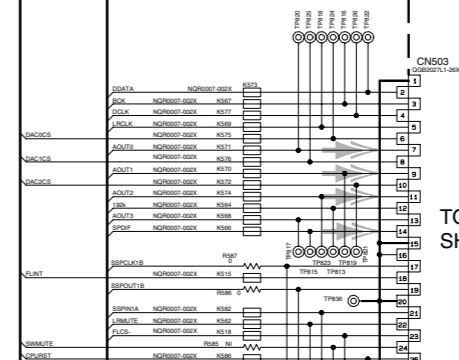
フラッシュ (IC508, IC509) コンフィグレーション

	R601/605	R602/606	R604/607
SST39VF160	X	X	X
SST39VF160Q	X	X	X
MBM29LV160T	O	O	O

FLASH ROM



TO CN512 SHEET 1



TO CN513 SHEET 2

➡ Video signal ➡➡ Audio signal

MODEL XV-SA70 SHEET 7/7

A B C D E F G H I J

■ Voltage value section (SHEET 5~7)

7  
6  
5  
4  
3  
2  
1

IC101 table with 50 rows and 4 columns (NO, DC (V), NO, DC (V)).

IC102 table with 5 rows and 2 columns (NO, DC (V)).

IC201 table with 50 rows and 4 columns (NO, DC (V), NO, DC (V)).

IC271 table with 42 rows and 2 columns (NO, DC (V)).

IC301 table with 50 rows and 4 columns (NO, DC (V), NO, DC (V), NO, DC (V)).

IC401 table with 50 rows and 4 columns (NO, DC (V), NO, DC (V), NO, DC (V)).

IC403 table with 8 rows and 2 columns (NO, DC (V)).

IC701 table with 50 rows and 4 columns (NO, DC (V), NO, DC (V), NO, DC (V)).

IC501 table with 50 rows and 8 columns (NO, DC (V), NO, DC (V), NO, DC (V), NO, DC (V), NO, DC (V)).

IC505 table with 50 rows and 4 columns (NO, DC (V), NO, DC (V)).

IC509 table with 48 rows and 2 columns (NO, DC (V)).

IC510 table with 8 rows and 2 columns (NO, DC (V)).

IC511 table with 3 rows and 2 columns (NO, DC (V)).

IC512, IC513 table with 20 rows and 2 columns (NO, DC (V)).

IC521 table with 14 rows and 2 columns (NO, DC (V)).

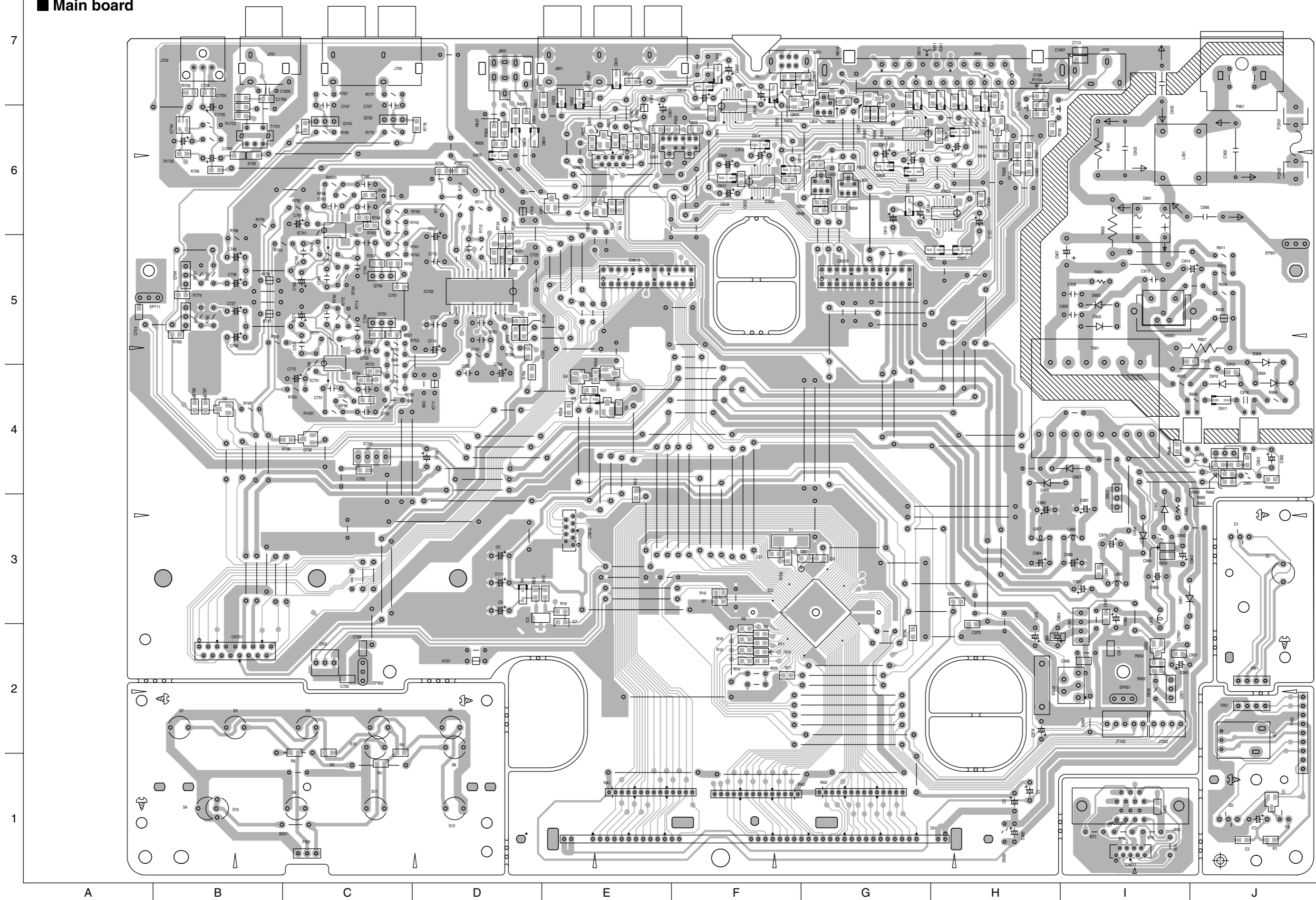
IC522 table with 14 rows and 2 columns (NO, DC (V)).

IC523 table with 5 rows and 2 columns (NO, DC (V)).

IC701 table with 50 rows and 2 columns (NO, DC (V)).

# Printed circuit boards

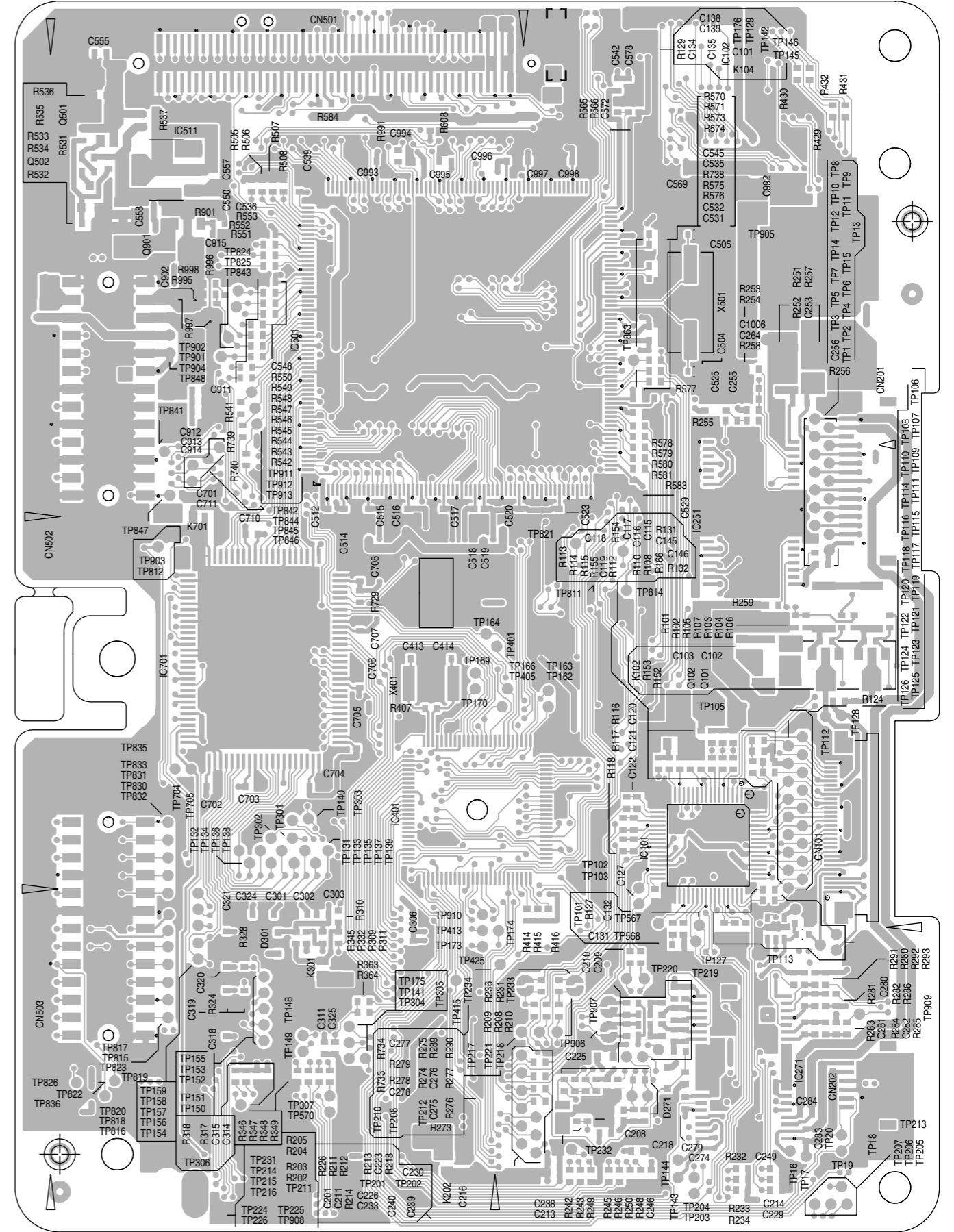
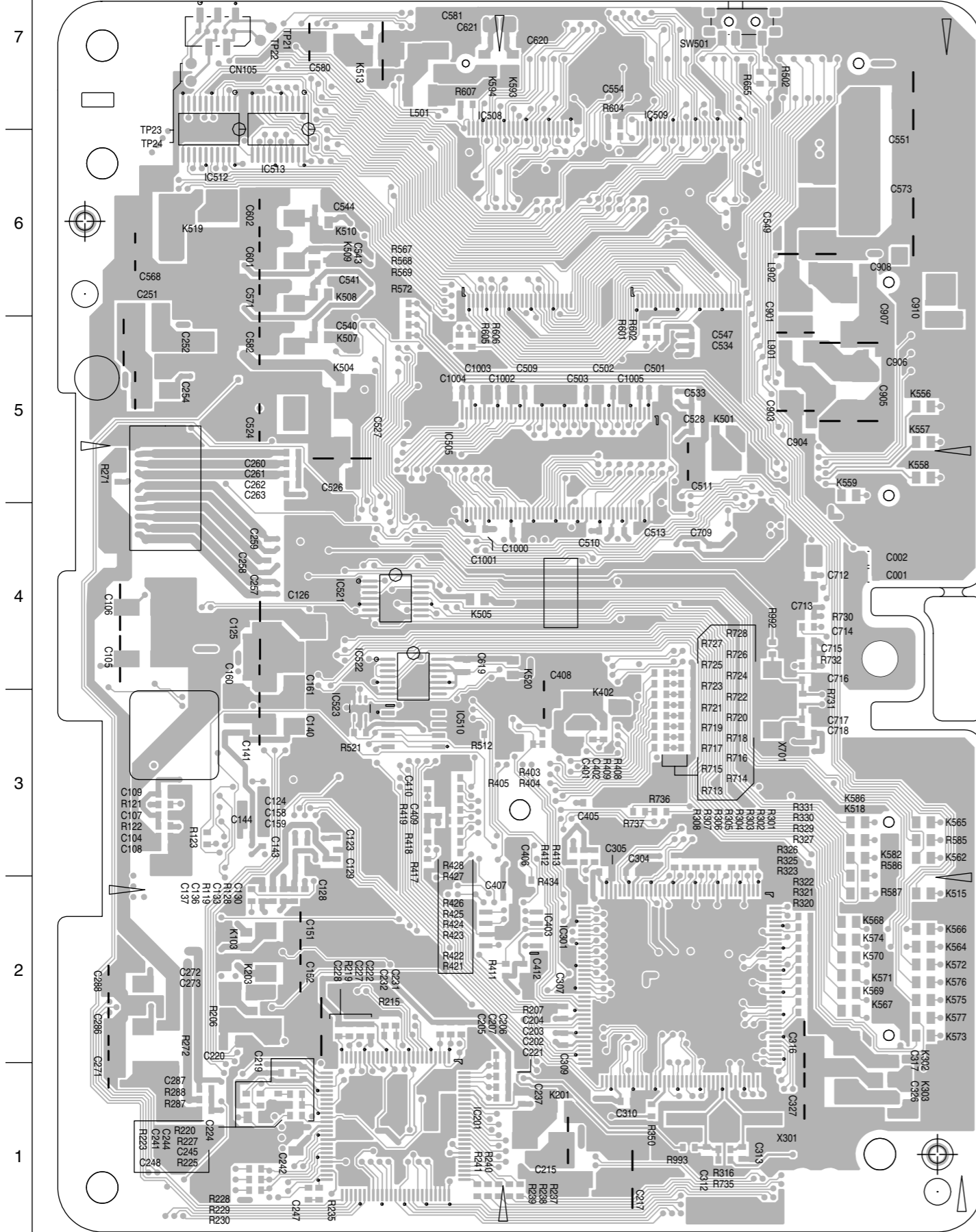
■ Main board



■ DVD Servo control IC board

Forward side

Reverse side



■ Surround audio board

